

SUBSTATION FIT-OUT SERVICES

HES Cranes can provide and coordinate most services necessary for the successful handover of an electrical substation, and can liaise directly with the Power Authority, consultants and other contractors on site to close the loop and ensure the process runs smoothly.



Unit 1, 75-77 Chifley Drive, Preston
Vic 3072

Phone: 1800 HES CRANES

Email: sales@hescranes.com.au



OUR SERVICES

Monorail/Bridge Crane Systems

Design, Certification, Documentation and Manuals
Fabrication and Installation
Commissioning
Testing, Inspection & Re-Certification
High-Voltage Insulation Systems

Lifting & Pulling Eyes

Design, Certification and Documentation
Fabrication and Installation (Cast-In and Post-Fixed)
Commissioning
Testing, Inspection & Re-Certification

Steelwork

Equipment Supports
Cable Trench and Cable Pit Steelwork
Grating
Door Bunding Angles
Stairs, Ladders and Platforms
Fully Insulated Systems Available

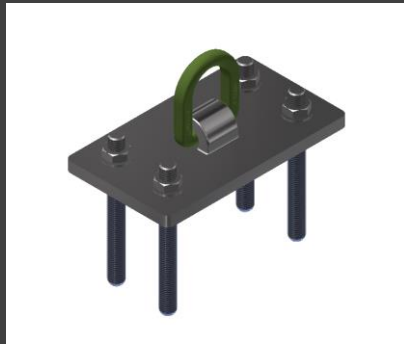
Citipower Approved Products



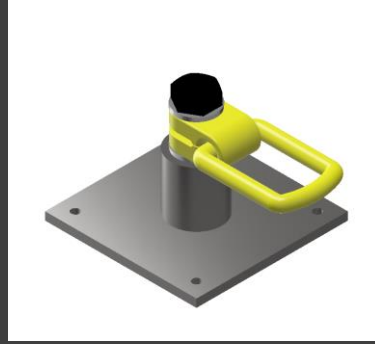
Chain Storage Bag



Yoke - 1T Pulling eye



Townley 5T Pulling eye



Cast-in 10t Pulling eye



Pulling Mounting Plate



Combined Hoisting Assembly



Substation approved supplier

To whom it may concern.

Citipower accepts HES Cranes Pty Ltd as an alternative supplier of substation equipment in regards to supply, design and install of:

- Monorail Crane Systems
- Combined Hositing arrangement
- Cable pulling eyes , cast in and bolt down
- Ancillary Steelwork in cable pits
- Raised equipment and personnel platforms
- Hanger plates for high level cable pulls.
- Conduit support buckets
- Transformer pulling eye

HES will also provide the certifications for all equipment supplied as part of the substation hand over process.

Contact:

Supplier – HES Cranes Pty Ltd
Unit 1, 75-77 Chifley Drive, Preston Vic 3072
Ph: Nathan Heatley 0491 065 754
Email: sales@hescranes.com.au

Yours faithfully,



George Kustra/ Engineer Urban Underground Distribution
Network Services | Design & Customer Programs

CitiPower Pty Ltd and Powercor Australia Ltd
A Level 3, 40 Market Street Melbourne, VIC 3000
P 61 3 9297 6144 | M +61 447 362 031
Email: GKustra@citipower.com.au

REGISTERED OFFICE

40 Market Street, Melbourne VIC Australia Telephone: (03) 9683 4444 Facsimile: (03) 9683 4499
Address all Correspondence to: Locked Bag 14090 Melbourne VIC 8001
CitiPower Pty ABN 76 064 651 056 General Enquiries 1300 301 101 www.citipower.com.au
Powercor Australia Ltd ABN 89 064 651 109 General Enquiries 13 22 06 www.powercor.com.au