

## Hand Chain Hoists

OzBlok have been a leader in the development and manufacture of quality, reliable chain hoists in the Australian market for over 25 years.

We are proud to announce the addition to our range with these large lift models in 10, 20, 30 and 50 tonne capacities.

With their advanced design and performance these new hoists have applications in heavy engineering, construction, marine, offshore exploration and mining industries.

Each hoist is factory overload tested and comes with test certificate and operating instruction manual.

Available in special lift heights or with optional Overload Protection.

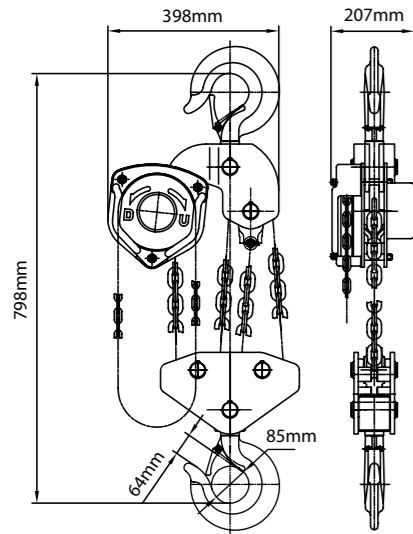
Full technical support and on-site service always available.

### FEATURES:

- Strong robust construction
- Super strength Grade 80 load chain.
- Fully machined lift wheel.
- Minimum effort to raise maximum load.
- Cast steel safety latches.
- Lower hook complete with thrust race.
- Fully enclosed gear train.
- Weather protected automatic Weston brake with unique Twin pawls.
- Galvanised hand chain as standard.
- Powder coated paint protection.
- Stainless Steel ID labels.
- Replacement parts always available.

### 10 tonne (WLL)

Product Code: CBOZ100-3  
CBOZ100-6

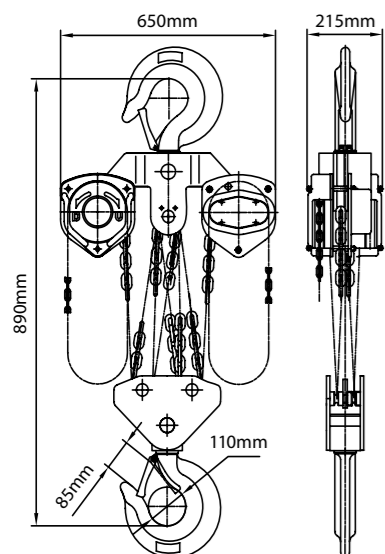


Working Load Limit (WLL)	10 t
Standard Lift	3m
Falls of Chain	4
Hand Effort to Lift WLL	39kg
Net Weight	68kg
Load Chain Diameter	10mm



### 20 tonne (WLL)

Product Code: CBOZ150-3  
CBOZ150-6

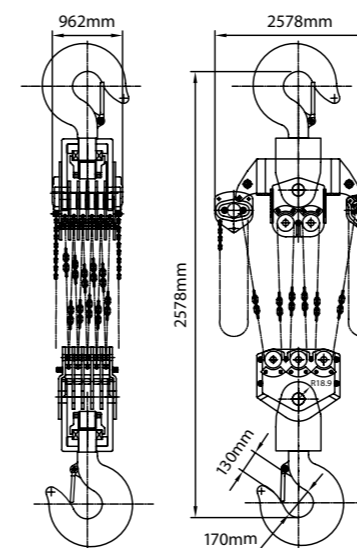


Working Load Limit (WLL)	20 t
Standard Lift	3m
Falls of Chain	8
Hand Effort to Lift WLL	42kg x 2
Net Weight	193kg
Load Chain Diameter	10mm



### 50 tonne (WLL)

Product Code: CBOZ500-3  
CBOZ500-6

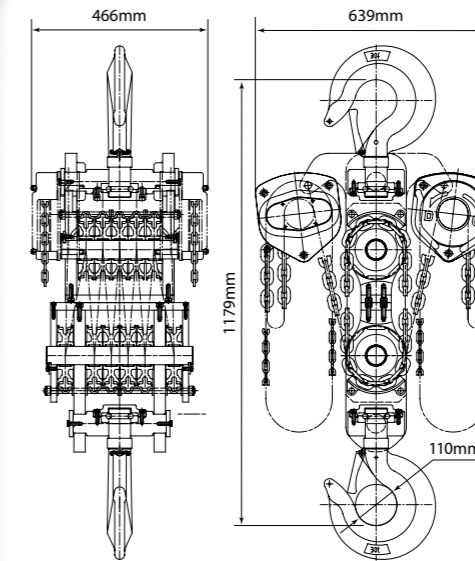


Working Load Limit (WLL)	50 t
Standard Lift	3m
Falls of Chain	22
Hand Effort to Lift WLL	42kg x 2
Net Weight	1092kg
Load Chain Diameter	10mm



### 30 tonne (WLL)

Product Code: CBOZ300-3  
CBOZ300-6



Working Load Limit (WLL)	30 t
Standard Lift	3m
Falls of Chain	12
Hand Effort to Lift WLL	42kg x 2
Net Weight	225kg
Load Chain Diameter	10mm

Complies to AS/NZS 1418.2

ALL HOISTS AVAILABLE WITH OPTIONAL OVERLOAD PROTECTION

